

ElectroChem RO Brine Concentrator

Increase RO recovery, lower operating costs: more freshwater, less reject water.

Saltworks' ElectroChem advanced electrodialysis platform hybridizes with reverse osmosis (RO) to simultaneously soften the RO feed while concentrating the RO reject.

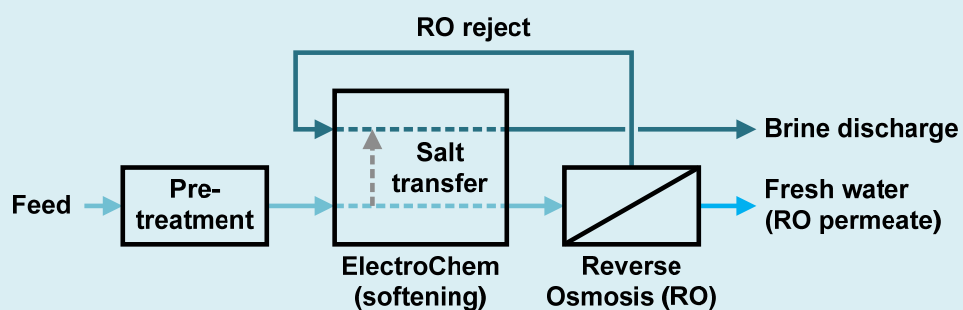
Quick facts

- Electrochemically soften RO feed, concentrate RO reject
- Leverage RO strengths, reduce operating costs
- Saltworks' advanced ion exchange membranes
- Utilizes Saltworks' ElectroChem modular, skidded platform: fully automated and self-cleaning

Advantages over chemically softened RO

- No lime, no sludge
- No ion exchange systems, no waste acid
- Concentrate brine to reduce discharge volumes up to 50%
- Reduce RO pressure & fouling
- Higher recoveries, reuse more freshwater

ElectroChem RO Brine Concentrator process: soften RO feed, concentrate reject



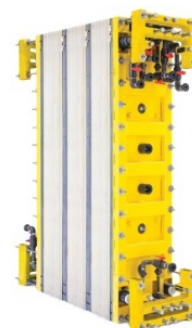
IonFlux Ion Exchange Membrane



Mobile pilot systems



Full scale stacks & systems



Contact projects@saltworkstech.com for an ElectroChem RO Brine Concentrator performance and economic assessment.

View our case studies: <http://www.saltworkstech.com/case-studies/>