

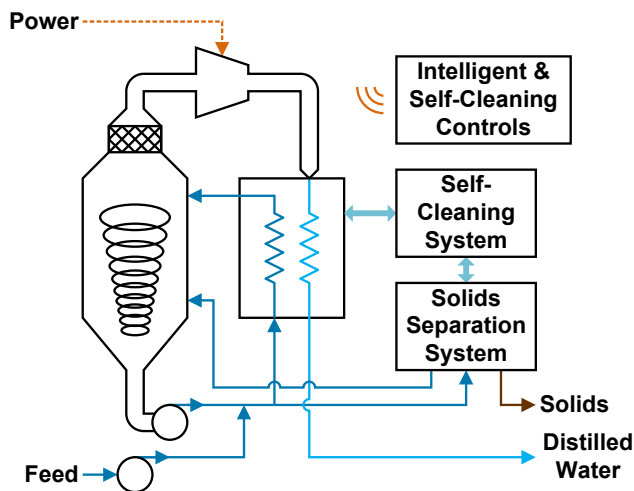
SaltMaker MVR and MSF Modernized Evaporators/Crystallizers

MVR: Mechanical Vapor Recompression
MSF: Multi-Stage Flash

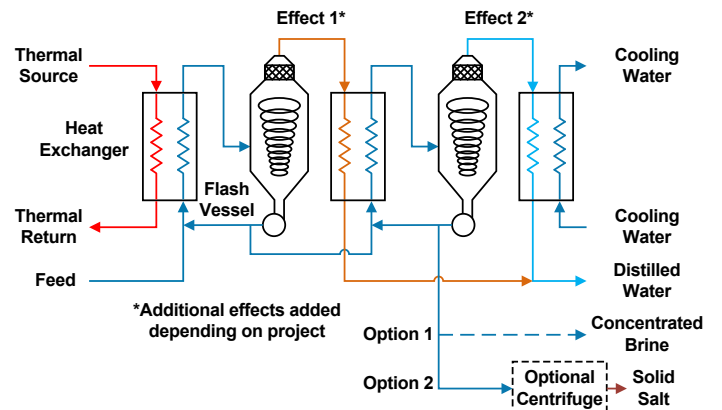
- Modernized forced circulation evaporators and crystallizers
- Modular blocks for rapid, low-cost site installation
- Intelligent automation for self-cleaning and ease-of-operation
- Robust quality build
- Minimal liquid discharge (MLD) or zero liquid discharge (ZLD)



MVR: Electrically Driven



MSF: Thermally Driven



Robust and Reliable

Engineered for corrosive and scaling environments. High brine velocities generate shear in key places with built-in self-cleaning.

Low-Cost Install and Fast Start-Up

Built from pre-assembled and factory-tested modules for easy, low cost installation at site.

Intelligent Automation

Intelligent automation with self start-up, capacity control, hibernation, and safe shut down. Built-in heat exchanger monitoring and cleaning.

Solid Salt Production and ZLD Packages

Packages available to achieve one comprehensive ZLD system. Systems include an integrated decanter centrifuge and solid slurry management system.

Tightly Controlled Production and Supply Chain

Saltworks' factory builds systems at our quality-controlled production facility, with in-house supply chain and engineering.

Chemistry Expertise

Evaporation, crystallization, slurry management, and corrosion control require deep expertise. Saltworks' Ph.D. chemists and experienced engineers make sure your system package is designed and built right for your application.

Utility Requirements

	MVR	MSF (1 to 4 effects)
Heat Source	Not required	>80°C heat (low pressure steam common)
Electrical Energy Consumption	40–60 kWh/m ³	~10 kWh/m ³
Voltage	3-phase, voltage & frequency per customer site	

Capacity, Performance & Size

Evaporation capacity increases with number of evaporation vessels. Capacity of a vessel is based on one that can be shipped on roads without special considerations such as wide loads or road infrastructure modifications. Saltworks delivers multi-vessel plants to achieve modular scale-up.

Evaporation Capacity	1 vessel: 96–312 tonnes per day 2 vessels: 310–620 tonnes per day 3 vessels: 620–930 tonnes per day
Typical Operating Pressure	30 kPa absolute (30% vacuum)
Feed Water Quality	Designed to operate without pre-treatment. Contact Saltworks for an assessment.
Evaporator Size	Modules, standard shippable skids. 1 vessel plant: L65' x W25' x H30'
Crystallizer Size	Add decanter module, size varies based on solids load

Primary Features

Lower Cost	<ul style="list-style-type: none"> • Rapid site installation: place frames and connect modules • No pre-treatment required • Higher uptime through reliable design & sound automation
Quality Delivered	<ul style="list-style-type: none"> • Tier 1 components including heat exchangers, vapor compressors, brine circulation pumps, instrumentation, electrical and controls • Proactive and responsive project management inclusive of project integration • Excellent documentation and training packages
Reliability	<ul style="list-style-type: none"> • Smart process design for reliable slurry or solids production • Avoids scale caused by conventional boiling evaporation on heat transfer surfaces • Self-cleans while running • Corrosion-resistant construction materials balanced with project-specific economics
Automation	<ul style="list-style-type: none"> • Automated self-cleaning, start, stop, and capacity control: ramp from 25% to 100%, or hibernate at 0% while circulating • Programmed to remove scale before it becomes irreversible • High quality instrumentation and sensors package • User-friendly graphical interface and controls that offer remote login, data logging, and trend analysis • Variable frequency drives (VFD) for energy efficiency

Standard Package & Options

SaltMaker Plant	Complete packaged system, from inlet to discharged water and solids. Arrives with technician to support your installation
Training & Support	On-site training and commissioning. Ongoing support with videos, tutorials, checklists, and remote assistance
Thermal Energy	Waste heat (>80°C), low pressure steam, hot water, or gas-fired options
Additional Options	Ongoing operational support: <ul style="list-style-type: none"> • Remote Operations Asset Management (ROAM): 24/7 remote monitoring and customizable daily reports • Operations packages: Saltworks operates SaltMaker MVR or MSF on-site